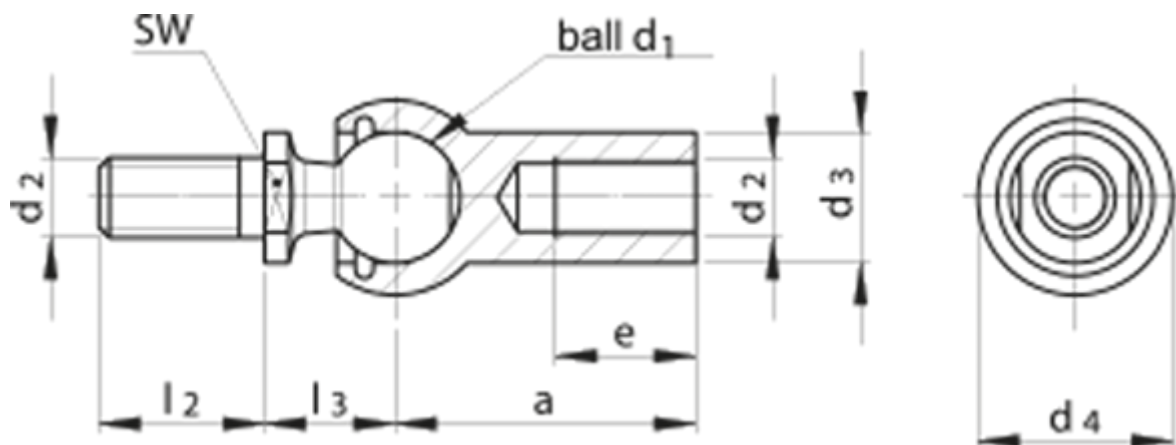


Article number: 1401244

Description: KLEE Ball joint C 16 M10 DIN 71802 zinc plated

Measures



a = 35

d1 = 16

d2 = M10

d3 = 16

d4 = 24

e = 15.5

FN = 80

l2 = 20

l3 = 16

sw = 13